



Champion Power Equipment, Inc., Santa Fe Springs, CA USA

**MODEL #100515**

## **PARTS INFORMATION**

**HOME STANDBY GENERATOR - 14KW**

**SERIAL NUMBER RANGE: ALL**

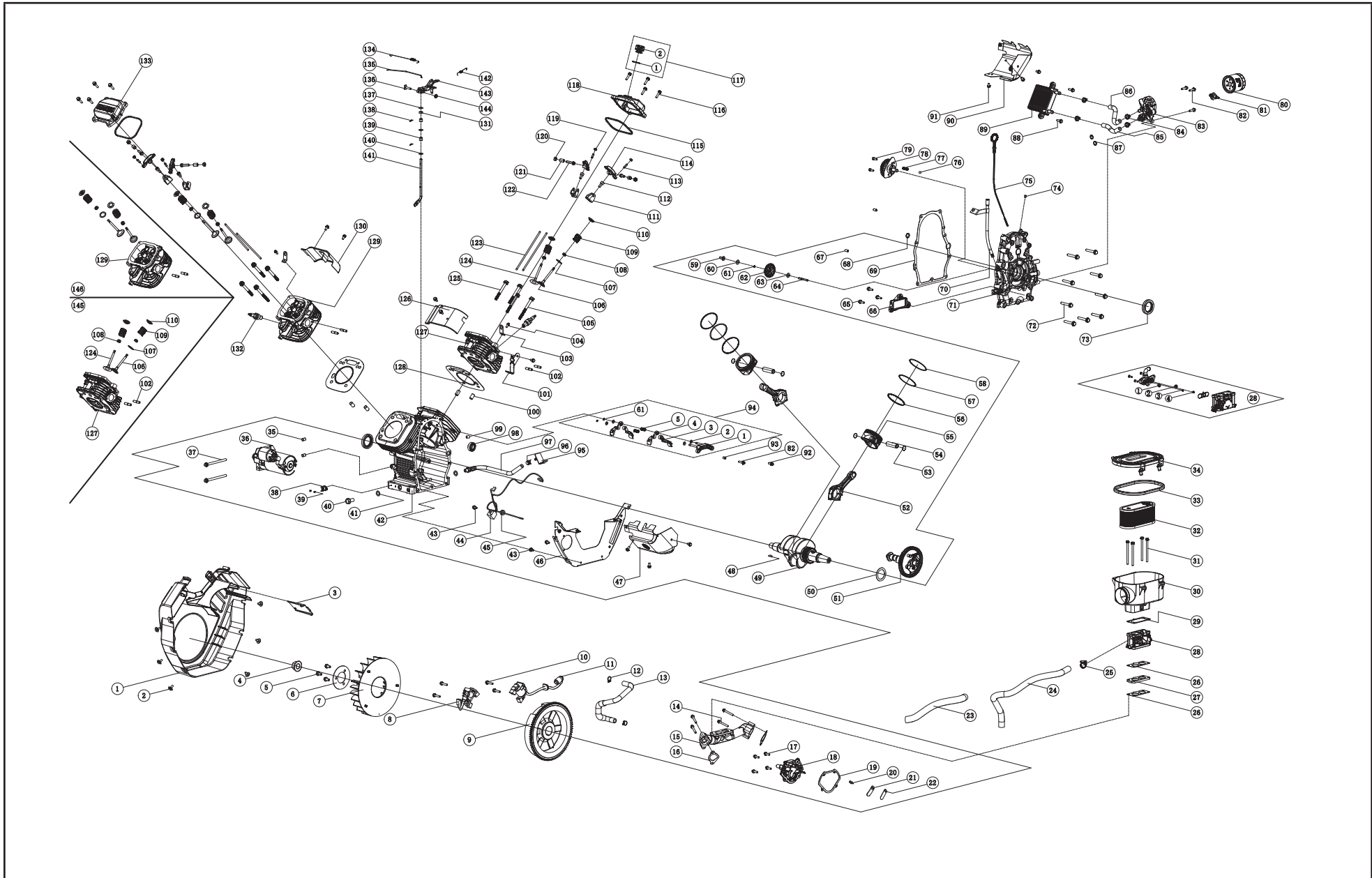


To order replacement parts please visit:  
**[shop.championpowerequipment.com](http://shop.championpowerequipment.com)**  
or call **1-877-338-0999**.

## **TABLE OF CONTENTS**

<b>Engine Parts Diagram .....</b>	<b>3</b>
<b>Engine Parts List.....</b>	<b>4</b>
<b>Enclosure and Assemblies Diagram.....</b>	<b>7</b>
<b>Parts List .....</b>	<b>8</b>
<b>Alternator and Exhaust System .....</b>	<b>10</b>
<b>Parts List .....</b>	<b>11</b>
<b>Control Panel .....</b>	<b>12</b>
<b>Parts List .....</b>	<b>13</b>
<b>Wiring Diagram .....</b>	<b>14</b>

# ENGINE PARTS DIAGRAM



**ENGINE PARTS LIST**

#	Part Number	Description	Qty.
1	717.080100.03	Cover, Fan, (Rotating Screen With Oil Cooler Ribs)	1
2	2.08.083	Bolt, Hex Flange M6 x 12	6
3	717.070004.00	Bracket, Fuel Pump	1
4	1.6177.20	Nut, M20 x 1.5 Flange	1
5	1.5789.0816	Hex Flange Bolt, M8 x 16	3
6	61.080005.00	Plate, Fan	1
7	717.080001.00	Fan, Cooling	1
8	717.123000.03	Ignition Coil Assembly, Cylinder 1, EMC	1
9	717.120100.20	Flywheel Assembly	1
10	1.5789.0629	Hex Flange Bolt, M6 x 29	4
11	717.123000.04	Ignition Coil Assembly, Cylinder 2, EMC	1
12	2.06.009	Clamp, Ø17xØ1.5	2
13	717.030019.20	Tube, Breather	1
14	1.16674.0640	Hex Small Flange Bolt, M6 x 40	4
15	717.130012.00	Intake Manifold	1
16	717.130011.00	Gasket, Intake Manifold	2
17	1.16674.0620	Hex Flange Bolt, M6 x 20	4
18	717.030021.01	Cover, Breather	1
19	717.030022.30	Gasket, Breather Cover	1
20	1.818.0410	Screw, Small Pan Head M4 x 10	2
21	717.021104.00	Retainer, Reed Valve	1
22	717.021103.30	Reed Valve	1
23	5.1330.019	Protective Sleeve	1
24	163.130021.00	Hose, Gaseous Fuel Id 12.7	1
25	2.06.015	Clamp Hose Id Ø16-Ø25	1
26	61.130003.00	Gasket, Carburetor	2
27	61.130001.00	Insulator, Carburetor	1
28	717.131000.21	Mixer Assembly	1

#	Part Number	Description	Qty.	
NG	1	717.131017.20.54	Main Jet - Right	1
	2	717.131017.20.51	Main Jet - Left	1
LPG	1	101515	Main Jet - Right	1
	2	100909	Main Jet - Left	1
	3	101032	Slow Jet - Right	1
	4	100671	Slow Jet - Left	1
29	717.090005.00	Gasket, Ac Assembly	1	
30	717.091100.21	Base Assy, Air Cleaner	1	
31	1.5789.0688	Hex Flange Bolt, M6 x 88	4	
32	717.091300.21	Air Filter Assembly	1	
33	717.091002.20	Seal, Ac Base	1	
34	717.091200.22	Cover, Ac Base	1	
35	2.04.009	Pin, Dowel Ø10 x 14	2	
36	717.125000.20	Motor Assy, 24V Solenoid Shift Starter	1	
37	1.16674.08110	Hex Small Flange Bolt, M8 x 110	2	
38	5.1050.003	Switch, Thermal Shutdown	1	
39	1.823.0306.1	Screw, M3 x 6	2	
40	2.08.039	Bolt, Drain, M12 x 1.5 x 15	1	
41	2.03.023	Washer, Drain Bolt, Ø12.5 x Ø20 x 2	2	
42	717.030101.03	Crankcase Component	1	
43	1.5789.0612	Hex Flange Bolt M6 x 12	12	
44	61.120800.00	Diode Assembly, Engine Stop	1	
45	2.12.004	Grommet Ø9.5 x 10	1	
46	717.080800.31	Air Board, Assy, Internal Oil Cooler	1	
47	717.080500.00	Air Guide, Outer Cylinder 1 Assembly	1	
48	2.14.005	Key, Flywheel, 4 x 5.5 x 12.5	1	
49	717.050100.04	Assembly, Crankshaft - Taper Pto	1	
50	2.03.026	Washer, Crankshaft Thrust, Ø39 x Ø54 x 1.2	1	
51	717.040100.01	Camshaft Assembly	1	
52	717.050200.00	Assy, Connecting Rod	2	

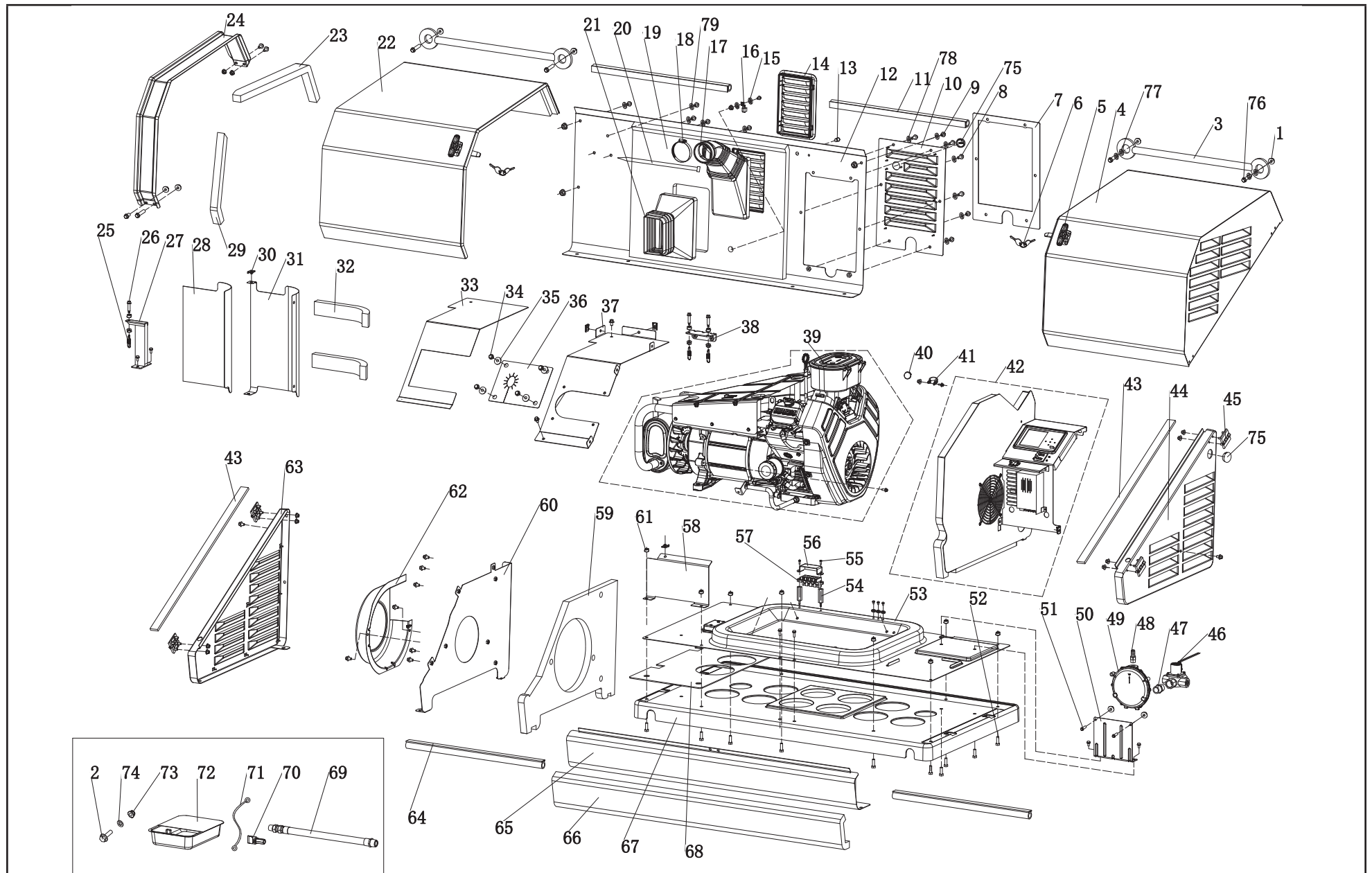
#	Part Number	Description	Qty.
53	2.09.009	Retainer, Piston Pin, Ø17 x Ø1	4
54	717.050003.30	Pin, Piston, Ø17 x 53.8 mm	2
55	717.050005.33	Piston, 80 mm, 1.5 mm, Dish Ceramic Crown	2
56	43..050303.00	Ring Assembly, Oil Control	2
57	43.050302.00	Ring, Piston, 2nd	2
58	43.050301.00	Ring, Top Piston	2
59	45.110012.00	Bushing, Governor Gear	1
60	2.03.053	Washer, Ø6.2 x Ø17 x 0.8	1
61	21.110011.00	Clip, Retaining	3
62	61.110100.00	Gear Assy, Governor	1
63	2.03.054	Washer, Ø6.2 x Ø15 x 1	1
64	45.110013.00	Shaft, Governor Gear	1
65	1.5789.0620	Hex Flange Bolt, M6 x 20	3
66	61.150300.00	Oil Filter Component	1
67	2.04.002	Location Pin Ø8 x 14	2
68	2.07.023	O-Ring Ø12 x Ø3.5	1
69	717.030008.00	Gasket, Crankcase Cover	1
70	717.031200.00	Tube, Oil Dipstick Assembly	1
71	717.030007.01	Cover, Crankcase	1
72	1.5789.0850	Hex Flange Bolt, M8 x 50	9
73	2.11.010	Seal, Pto Oil, Ø38 x Ø58 x 9	2
74	61.030011.00	Plug, Crankcase Cover	1
75	717.031000.00	Blade Assembly, Oil Dipstick	1
76	1.308.9.5	Ball Ø9.5, Steel Check Valve	1
77	61.150004.00	Spring, Compression	1
78	61.151000.00	Pump Assembly, Oil	1
79	1.70.0616	Screw, M6 x 16, Socket Head Cap	2
80	717.153000.02	Filter, Oil	1
81	717.120007.01	Switch, Low Oil Shut-Down 0.6 Bar	1
82	1.16674.0625	Hex Small Flange Bolt, M6 x 25	4
83	717.150200.03	Base Assembly, Oil Filter With Oil Cooler And Oil Pressure Switch	1

#	Part Number	Description	Qty.	
84	2.06.032	Clamp Ø17, Oil Hose	4	
85	717.152101.02	Hose 2, Oil Line	1	
86	717.152101.01	Hose 1, Oil Line	1	
87	2.07.004	O-Ring Ø12 x Ø2.5	2	
88	1.5789.0620	Hex Flange Bolt, M6 x 20	2	
89	717.152001.01	Oil Cooler Assy, Internal Mount	1	
90	717.080600.00	Air Guide, Outer, Cylinder 2 Assembly	1	
91	1.5789.0608	Hex Flange Bolt, M6 x 8	2	
92	1.16674.0616	Hex Small Flange Bolt, M6 x 16	1	
93	2.04.005	Pin, Ø8 x 10, Location	1	
94	717.042000.30	Follower Assembly, Camshaft	1	
	1	101475	Follower Pivot Assembly, Camshaft	1
	2	2.03.021.1	Washer, Governor Shaft, Ø6.4 x Ø13 x 1	4
	3	100485	Follower, Camshaft	2
	4	61.040019.01	Follower, Camshaft	2
5	61.041001.00	Spring, Support	2	
95	45.030200.00	Retainer, Oil Drain Hose	1	
96	2.06.013	Hose Clamp, Ø13.5 x b10	1	
97	45.032000.00	Hose, Oil Drain	1	
98	1.276.6003.1	Bearing, Roller Ø35 x Ø17 x 10	1	
99	717.030026.01	Plug, Npt1/8-27 Hexagon Socket	1	
100	2.04.004	Pin, Ø12 x 20 Location	4	
101	100170	Bracket, Governor Spring	1	
102	2.01.010	Bolt M8 x 35, Exhaust Stud	4	
103	717.010003.00	Lift Strap	2	
104	1.16674.0820	Hex Small Flange Bolt, M8 x 20	2	
105	2.08.122	Bolt, Hex Flange M10 x 95	2	
106	100179	Valve, Exhaust	2	
107	717.040015.00	Shim, Valve Spring	2	
108	101881	Oil Seal, Valve Stem	4	
109	45.040003.00	Spring, Valve	4	
110	45.040001.00	Retainer, Intake Valve	4	

#	Part Number	Description	Qty.
111	717.040202.00	Bracket, Rocker Arm	4
112	1.70.1.0816	Screw, M8 x 16 Socket Head Cap	4
113	22.040012.00	Adjusting, Lash	4
114	717.040200.02	Rocker Arm	4
115	101644	Gasket, Rocker Cover	2
116	1.5789.0625	Hex Flange Bolt, M6 x 25	8
117	102357	Cap, Oil Fill Assembly	1
	1 2.07.001	Seal, Cap Oil Fill, Ø25.5 x Ø3.5	1
	2 101813	Cap, Oil Fill	1
118	717.021001.23	Rocker Cover Assembly, Oil Fill	1
119	21.040021.00	Jam Nut, M6 x 0.5 mm Pitch	4
120	1.6170.08	Hex Nut, Gb6170, M8	4
121	717.040016.00	Sleeve, Rocker Arm	4
122	2.08.086	Bolt, M8 x 1.25 Hhw Special	4
123	717.040005.00	Push Rod	4
124	45.040002.00	Valve, Intake	2
125	2.08.014	Bolt, Hex Flange M10 x 80	6
126	717.080300.02	Air Guide Assembly, Inner Cyl #2	1
127	717.010100.22	Head Assembly, Cylinder 2	1
128	717.030009.30	Gasket Assembly, Cylinder Head	2
129	717.010100.21	Head Assembly, Cylinder 1	1
130	717.080300.01	Air Guide, Inner Cylinder 1 Assy	1
131	2.11.006	Shaft Oil Seal, Ø7 x Ø14 x 5	1
132	2.15.008	Spark Plug, F7RTC	2
133	717.021001.24	Rocker Cover Assembly	1
134	717.110005.22	Spring, Link Take Up	1
135	717.110006.20	Link, Governor	1
136	2.08.107	Bolt, Governor Arm	1
137	2.03.019	Washer, Ø8.2 x Ø17 x 0.8	1
138	61.110008.00	Pin, Shaft	2
139	1.5801.0810	Bearing, Roller	2
140	1.97.1.08	Washer Ø8	2

#	Part Number	Description	Qty.
141	61.110001.00	Shaft, Governor	1
142	717.110007.01	Spring, Governor	1
143	717.110003.00	Lever, Governor Arm	1
144	1.6177.06	Nut, M6 Hexagon Flange	1
145	717.010000.02	Cylinder Head Assembly 2	1
146	717.010000.01	Cylinder Head Assembly 1	1

# ENCLOSURE AND ASSEMBLIES DIAGRAM



## PARTS LIST

#	Part Number	Description	Qty.
1	1.6177.1.06	Flange Lock Nut M6	24
2	1.5789.0615	Flange bolt, M6 x 15	6
3	161.200507.00	Curb Chain Assembly, Cover	2
4	164.200500.61.24	Top Cover Assembly, Right, Silk Grey, Flame Retardant and textured	1
5	161.200110.00	Hook Lock Assembly	2
6	161.200110.00.01	Key Hook Lock	2
7	161.200021.16.6	Seal, Access Cover, Flame Retardant	1
8	1.16674.0820	Flange bolt, M8 x 20	9
9	1.16674.0812	Flange bolt, M8 x 12	26
10	161.200402.60.24	Access Cover, Electric Cabinet, Silk Grey, Flame Retardant and textured	1
11	161.200109.63	Rubber Strip, 575 mm, Flame Retardant	2
12	164.200401.60.24	Rear Cover, Silk Grey, Flame Retardant and textured	1
13	5.1460.015	Indicator Light, 24 v	1
14	161.192100.60	Supporter, Air Guide Alternator, Flame Retardant	2
15	1.862.06	Toothed Lock Washer, Ø6	5
16	5.1560.000	Ground Wire Terminal, Ø6, UL	1
17	717.090004.21	Pipe, Air Cleaner	1
18	2.06.036	Clamp, Ø75	1
19	164.200021.00.6	Acoustic Panel, Rear Center Chamber, Flame Retardant	1
20	9.3410.02	Nylon Cable Ties, 5 x 500 mm	1
21	161.192300.00	Air Guide, Alternator	1
22	163.200500.60.24	Top Cover Assembly, Left, Silk Grey, Flame Retardant and textured	1
23	161.200021.17.6	Seal Strip, Top Cover, Long, 625 x 50 x 25 mm, Flame Retardant	1
24	161.201600.02.1	Gutter, Black	1

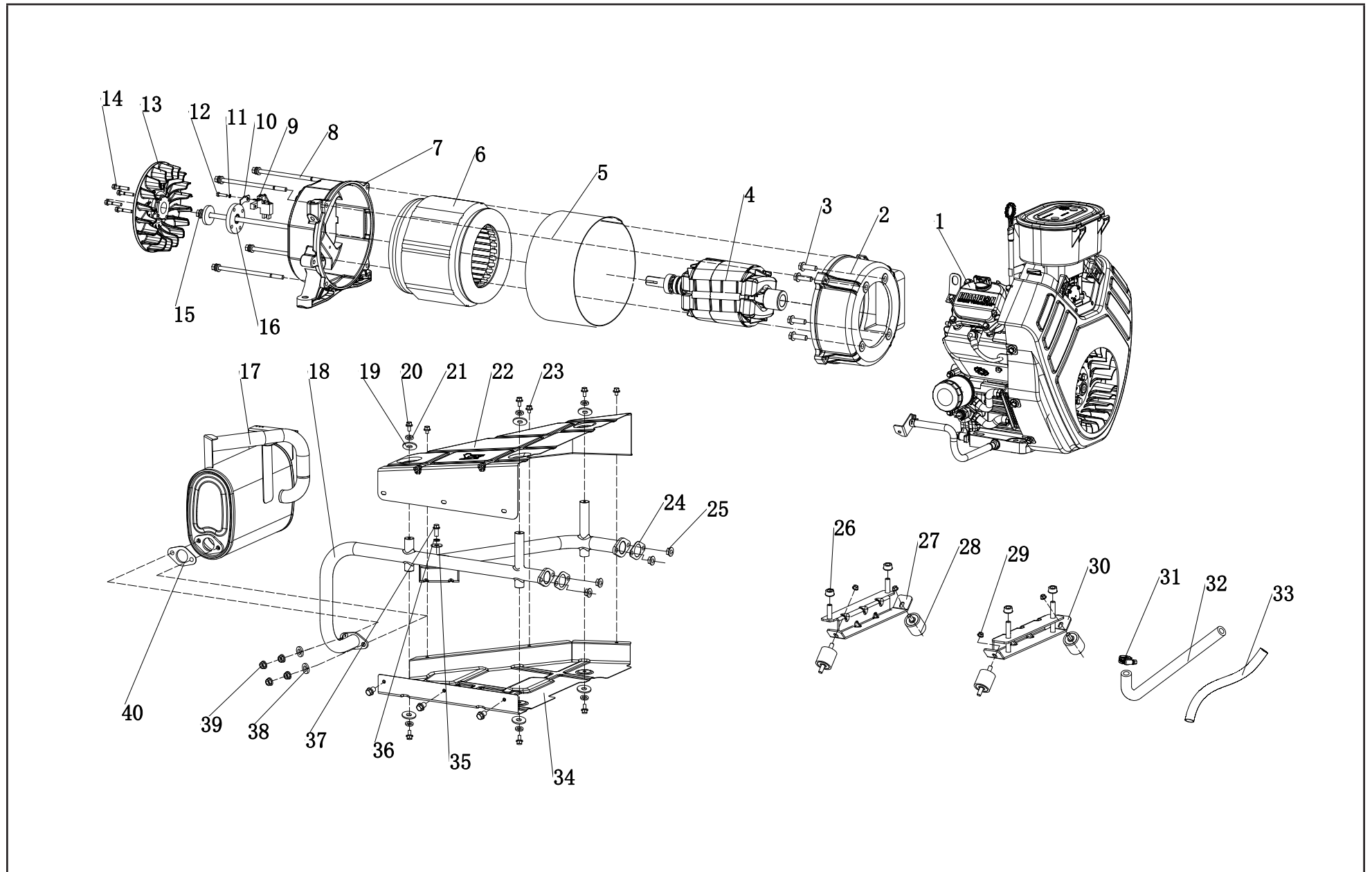
#	Part Number	Description	Qty.
25	161.100006.00	Spring, Muffler	3
26	2.08.119	Flange Bolt M8 x 35, Muffler	3
27	163.1010005.00.2	Supportor, Muffler, Bottom, Black	1
28	161.200021.13.6	Acoustic Panel, Muffler Cover, Front, Flame Retardant	1
29	161.200021.18.6	Seal Strip, Top Cover, Short, 50 x 320 x 25 mm, Flame Retardant	1
30	2.02.032	Cage Nut, M8	4
31	161.200017.63.24	Muffler Cover, Back, Silk Grey, Flame Retardant and textured	1
32	161.200021.15.6	Foams, Muffler Cover, Back, Flame Retardant	2
33	163.200021.03.6	Acoustic Panel, Muffler Cover, top, Flame Retardant	1
34	1.5789.0612	Flange Bolt, M6 x 12	8
35	2.03.004	Washer, Ø24 x Ø6.5 x 1.5	4
36	163.200017.01	Thermal Baffle	1
37	163.200017.60.24	Muffler Cover, Top, Silk Grey, Flame Retardant and textured	1
38	161.1010005.00.2	Supportor, Muffler, Top, Black	1
39	100237.901	Generator Assembly	1
40	2.06.035	Clamp, Ø23.5	1
41	2.06.037	Clamp, Ø28	1
42	100515.902	Control Panel Assembly	1
43	161.200021.02.6	Seal Strip, Right/Left Cover, Flame Retardant	2
44	161.200300.60.24	Right Cover Assembly, Silk Grey, Flame Retardant and textured	1
45	161.201900.00	Hinge	4
46	161.134100.00	Solenoid Valve, LPG/NG	1
47	161.133106.01	Nipple, NPT 3/4	1
48	161.133106.00	Nipple, NPT 3/8	1
49	161.136000.00	Pressure Reducing Valve, LPG/NG	1



#	Part Number	Description	Qty.
50	161.200018.00	Supportor, Pressure Reducing Valve	1
51	1.5789.0629	Flange bolt, M6 x 29	2
52	1.5783.0825	Bolt, M8 x 25	8
53	161.200601.60.24	Base Center, Silk Grey, Flame Retardant and textured	1
54	2.08.133	Male Female bolt,M5 x 50	2
55	1.16674.0516	Flange bolt, M5 x 16	2
56	161.210018.00	Cover,Terminal Block	1
57	161.210011.02	Terminal Block, 60A, 90° Angle	1
58	161.200017.61.24	Muffler Cover, Front, Silk Grey, Flame Retardant and textured	1
59	163.200021.00.6	Acoustic Panel, Left Firewall, Flame Retardant	1
60	163.200005.61.24	Firewall, Left, Silk Grey, Flame Retardant and textured	1
61	1.6177.1.08	Flange Lock Nut, M8	21
62	163.192300.00.2	Fan Cover, Rotor, Black	1
63	161.200200.60.24	Left Cover, Silk Grey, Flame Retardant and textured	1
64	161.200109.62	Rubber Strip, 530 mm, FR	2
65	161.200101.60.24	Front Cover , Silk Grey, Flame Retardant and textured	1
66	161.200021.11.6	Foams, Front Cover, Flame Retardant	1
67	161.201800.00	Plastic Pallet, PP	1
68	163.200021.10.6	Foams, Heat Insulation, Flame Retardant	1
69	163.130021.01	LPG Hose With NPT3/4 Nipple	1
70	9.1120.001	Screwdriver, Jet	1
71	5.1900.074	Battery Jump Wire, 275 mm, 6 AWG	1
72	161.200023.00.1	Oil Container, Black	1
73	1.6182.06	Lock Nut M6, Flange	4
74	1.97.1.06	Washer, Ø6	4
75	161.080007.00	Cap, Ø35	2
76	1.5789.0620	Flange bolt, M6 x 20	4

#	Part Number	Description	Qty.
77	1.97.1.08	Washer, Ø8	4
78	2.03.065	Insulating Washer, Ø8 × Ø17	16
79	2.03.064	Insulating Washer, Ø6 × Ø12	4

# ALTERNATOR AND EXHAUST SYSTEM

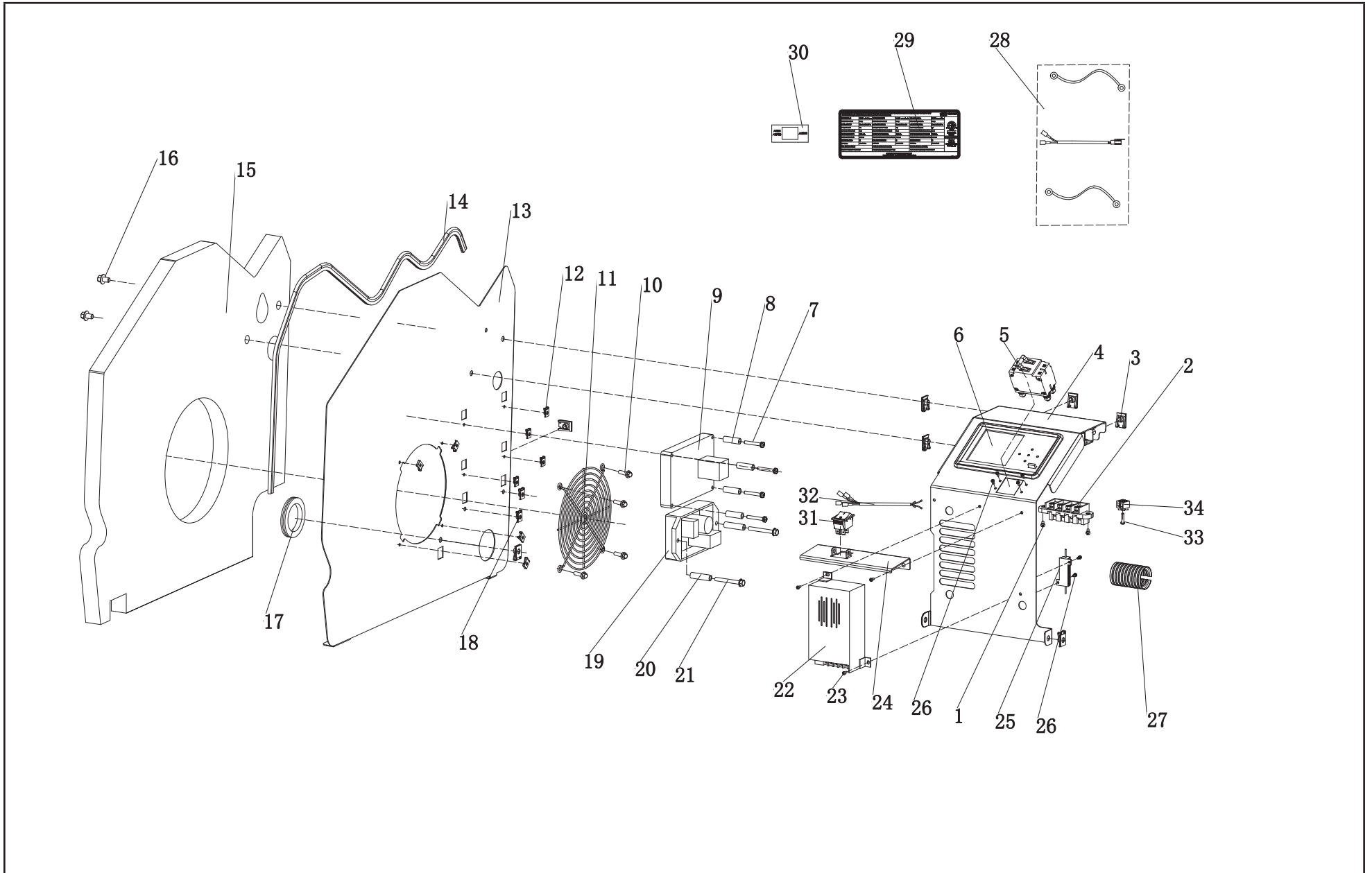


## PARTS LIST

#	Part Number	Description	Qty.
1	100206	Engine	1
2	161.190007.00	Front Housing, Stator	1
3	1.5789.1022	Flange Bolt, M10 x 22	4
4	164.191100.00	Rotor Component, Ø135 x 170	1
5	164.191002.00	Stator Cover	1
6	164.191200.00	Stator Assembly, Ø230 x 170	1
7	161.190002.00	End Housing, Stator	1
8	2.08.131	Bolt Assembly, M8 x 220	4
9	161.190300.00	Carbon Brush Assembly	1
10	122.190004.01	Pinch, Carbon Brush	1
11	1.93.05	Lock Washer, Ø5	1
12	1.5783.0520	Bolt, M5 x 20	1
13	164.190001.00	Rotor Fan, 14 KW Aluminum	1
14	1.5789.0629	Flange Bolt, M6 x 29	4
15	2.08.130	Flange Bolt Assembly, M10 x385	1
16	164.190019.00	Flange Plate, Fan	1
17	163.101000.00	Muffler Assembly	1
18	164.101001.00	Exhaust Pipe	1
19	2.03.004	Washer, Ø24 x Ø6.5 x 1.5	6
20	1.5789.0615	Flange bolt, M6 x 15	6
21	1.93.06	Lock Washer, Ø6	6
22	164.080009.00.2	Air Guide, Muffler Pipe, Above	1
23	1.9074.17.0612	Screw/Washer Assembly, M6 x 12	6
24	717.100001.00	Gasket, Exhaust Pipe	2
25	1.6187.1.08	Nut, M8	4
26	1.6177.1.10	Flange Lock Nut, M10	4
27	161.201600.01	Supportor, End Housing	1
28	161.200605.00	Motor Mount	4
29	1.6177.1.08	Flange Lock Nut, M8	4
30	164.201600.00	Supportor, Engine	1

#	Part Number	Description	Qty.
31	2.06.015	Clamp, Ø16-Ø25	1
32	163.130021.00	Pipe , LPG/NG	1
33	5.1330.019	Sheath, LPG Hose, PVC, Ø25 x 200	1
34	164.080009.01.2	Air Guide, Muffler Pipe, Bottom	1
35	1.96.08	Washer, Ø8	1
36	1.93.08	Lock Washer, Ø8	1
37	1.16674.0825	Flange Bolt, M8 x 25	1
38	1.7244.10	Lock Washer, Ø10	2
39	1.6187.1.10	Nut, M10	4
40	161.101002.00	Gasket, Muffler	1

# CONTROL PANEL

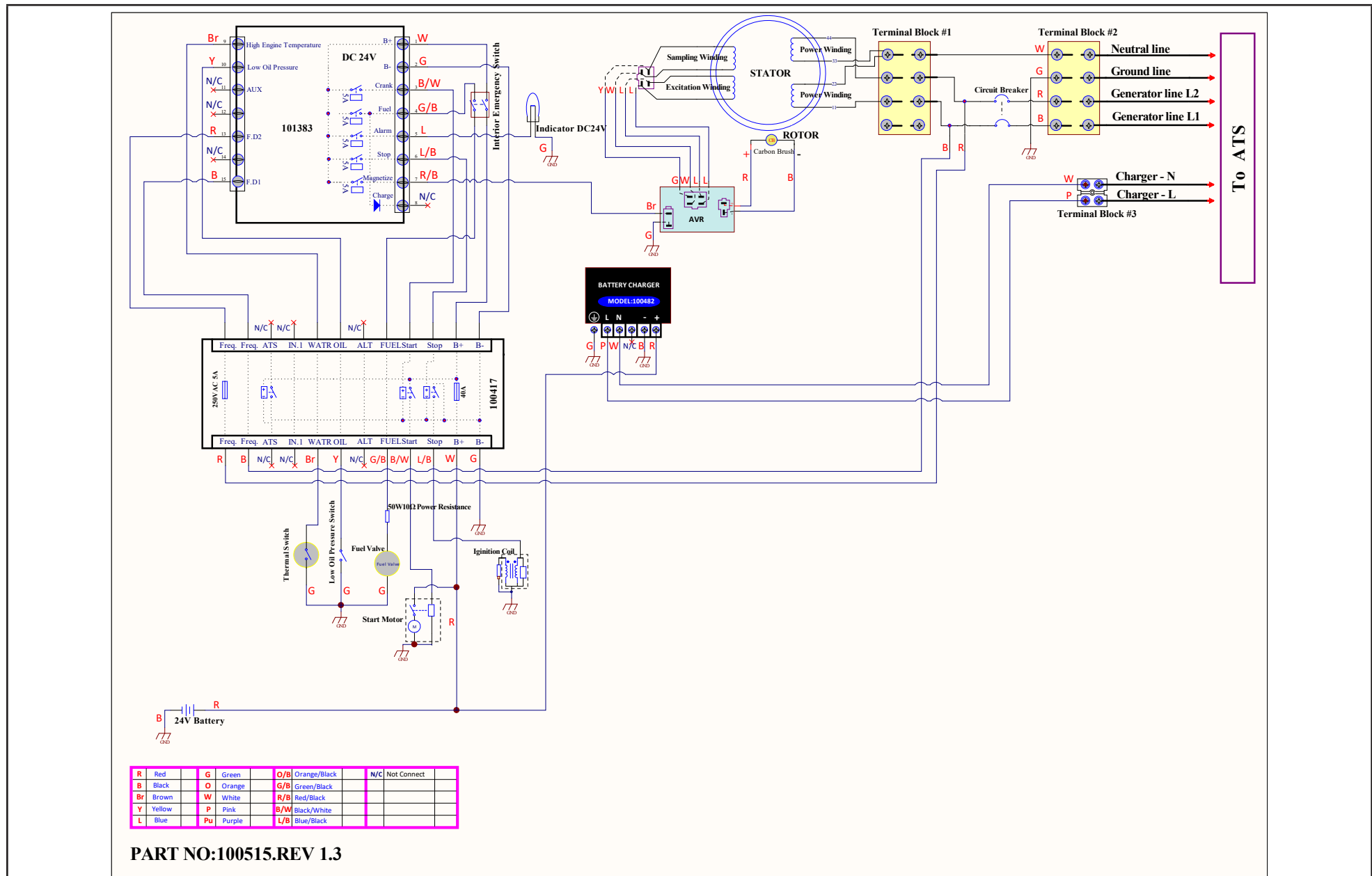


## PARTS LIST

#	Part Number	Description	Qty.
1	1.818.0514	Screw, M5 x 14	2
2	161.210011.03	Terminal Block, 75A, 90° Angle	1
3	2.02.032	Cage Nut, M8	7
4	163.200004.62.24	Cover, Electric Cabinet, Silk Grey, Flame Retardant and textured	1
5	5.1241.965	65Amp Circuit Breaker, Double Pole, UL	1
6	5.1850.007	Controller User Manual	1
7	1.5789.0550	Flange Bolt, M5 x 50	4
8	2.13.028	Bushing, Ø5.5 x Ø14 x 25	4
9	5.1850.005	Relay Module, Engine	1
10	2.08.068	Flange Bolt, M5 x 13	4
11	161.200020.00	Grille	1
12	2.02.030	Cage Nut M5	8
13	163.200005.60.24	Firewall, Right, Silk Grey, Flame Retardant and textured	1
14	163.200109.60	Rubber Strip, 1000 mm, Flame Retardant	1
15	164.200021.01.6	Foams, Right Firewall, Flame Retardant	1
16	1.16674.0812	Flange Bolt, M8 x 12	3
17	163.210003.00	Grommet, Wire	1
18	2.02.031	Cage Nut, M6	2
19	161.190200.00	AVR, TT91-15U	1
20	2.13.029	Bushing, Ø7 x Ø14 x 50	2
21	1.5789.0675	Flange Bolt, M6 x 75	2
22	5.1820.003	Charger, Battery, 24V	1
23	1.9074.4.0414.2	Screw, M4 x 14	3
24	163.200004.61.24	Cover, Charger, Silk Grey, Flame Retardant and textured	1
25	5.1860.004	Electrical Resistance, GH-RX24-50W	1
26	1.9074.4.0306	Screw, M3 x 6	6
27	5.1320.017	Plastic Conduit, CSA, 50mm	1
28	100515.21.10.V1.0	Wire Assembly	1

#	Part Number	Description	Qty.
29	164.230004.01.V1.0	Decal, Nameplate, 100515	1
30	100515.230005.00	Decal, ATS Selector	1
31	5.1050.009	Switch, UL, Black	1
32	100515.21.20	Wire Assembly, Shutdown Switch	1
33	1.818.0520	Screw, M5 x 20	1
34	161.210011.04	Terminal, Two Holes, Connector	1

# WIRING DIAGRAM



R	Red	G	Green	O/B	Orange/Black	N/C	Not Connect
B	Black	O	Orange	G/B	Green/Black		
Br	Brown	W	White	R/B	Red/Black		
Y	Yellow	P	Pink	B/W	Black/White		
L	Blue	Pu	Purple	L/B	Blue/Black		

PART NO:100515.REV 1.3